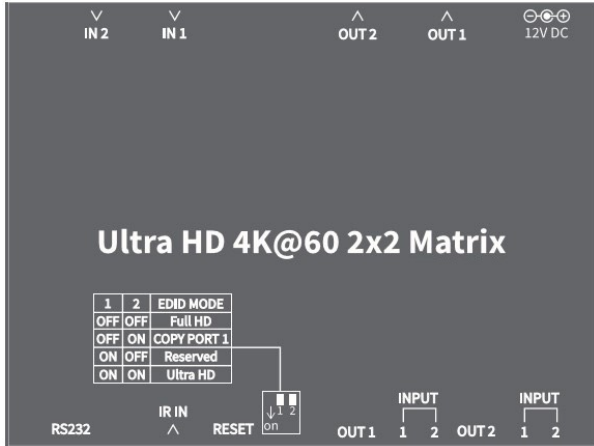


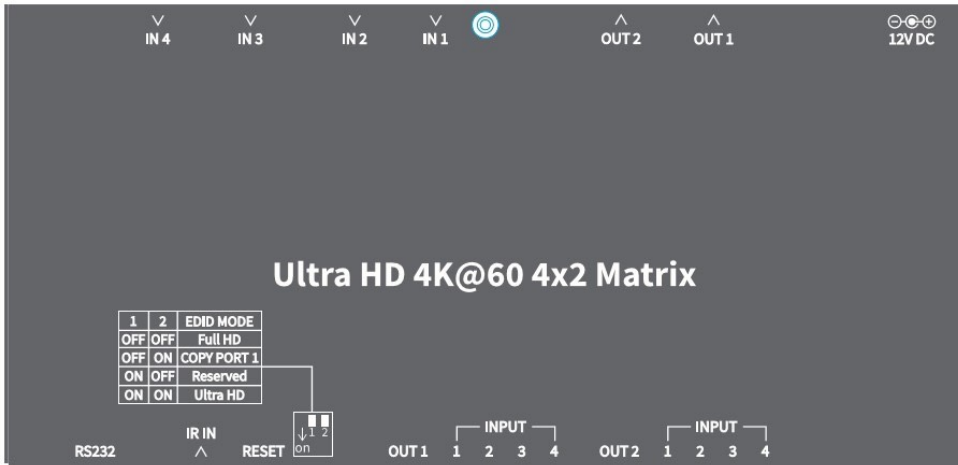
# Ultra HD/4K@60Hz Matrix Switcher

V1.0

## MX0202H



## MX0402H



# USER MANUAL

## Package Contents

- 1 x MX0402H or MX0202H
- 1 x User manual
- 1 x Power adapter DC12V with lock
- 4 x Foot pads
- 1 x IR Receiver
- 1 x Remote control

## Overview

The MX0402H/MX0202H is a high performance HDMI Matrix switcher equipment. It is used for input/output cross switching of signals or transmit input signal to each output equipment. It provides high performance video and audio up to Ultra HD/4K@60Hz resolution and supports 4 EDID modes select.

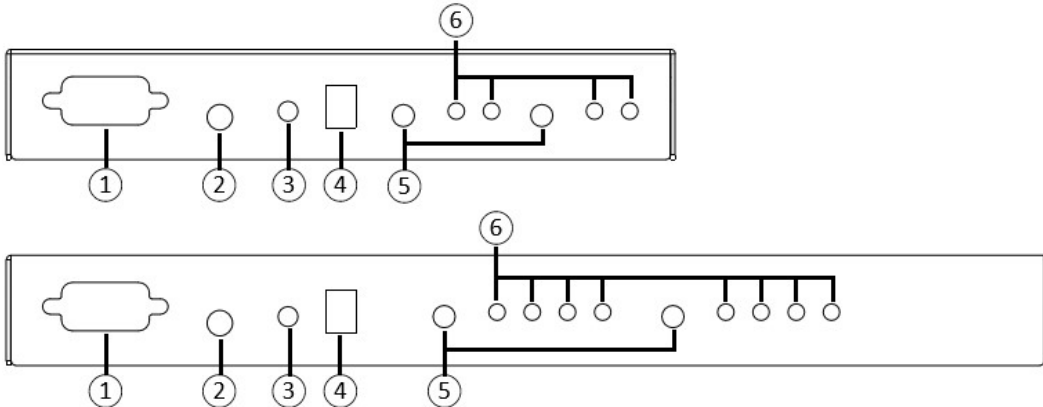
## Features

- Supports resolution up to 4Kx2K@60Hz (4:4:4).
- Supports Pixel clock up to 600MHz.
- Supports HDR.
- HDCP 1.4/2.2 compliant.
- Supports 3D pass-through.
- Supports RS232 control.
- Supports Remote control.
- Supports Firmware upgraded.

## Specifications

Function	MX0202H	MX0402H
HDMI Output		1
HDMI Input	2	4
RS232 control	DB9 x 1	
IR IN	3.5mm Stereo Jack x 1	
OUT1 SELECT LED	2	4
OUT2 SELECT LED	2	4
SELECT KEY	2	2
Max. Resolution	4Kx2K@60(4:4:4/8bit)/(4:2:0/12bit)	
HDCP COMPLIANCE	HDCP 1.4 / 2.2	
AUDIO SUPPORT(HDMI)	LPCM,Dolby TrueHD, Dolby Digital/Plus/EX,DTS,DTS-HD...	
HDMI cable	10m	
Power Supply	12V/1A DC	
Weight		
Dimensions (LxWxH)	237x114x25mm	152x114x25mm

## FRONT VIEW

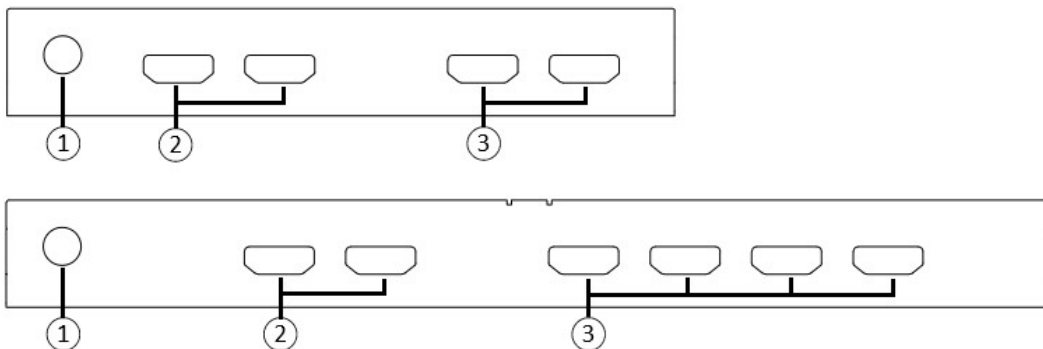


1. RS-232 Port
2. IR IN
3. RESET KEY
4. MODE KEY

PIN1	PIN2	EDID MODE
OFF	OFF	Full HD
OFF	ON	COPY PORT1
ON	OFF	Reserved
ON	ON	Ultra HD

5. SELECT KEY
6. INPUT LED

## REAR VIEW



1. POWER JACK 12V DC
2. HDMI OUTPUT
3. HDMI INPUT

## RS232 Console Protocol

Baud Rate: 115200, n parity bit, 8 data bits, 1 stop bit

Ascii Base

Execute Command by '\r' (carriage return)

Command List

Command	Description
help	: Display help information
reset	: Reset the device
info	: Display device information
status	: Display device status
r	: Set the routing status
rs	: Display the routing status
save	: Save the current settings to Preset
load	: Load settings from Preset
edid	: Select input EDID mode
default	: Reset to factory default settings

For more information, type '/h' or '?' after each commands.

## Installation

1. Connect the HDMI cable with the BD player or PC and the <IN> port.
2. Connect the HDMI cable with the UHDTV and the <OUT> ports.
3. Connect the power cord and turn on the matrix series .
4. Turn on the BD player or PC and UHDTV.

## Trademarks:

All the companies, brand names, and product names referred to this manual are the trademarks or registered trademarks belonging to their respective companies.