

ASK nano



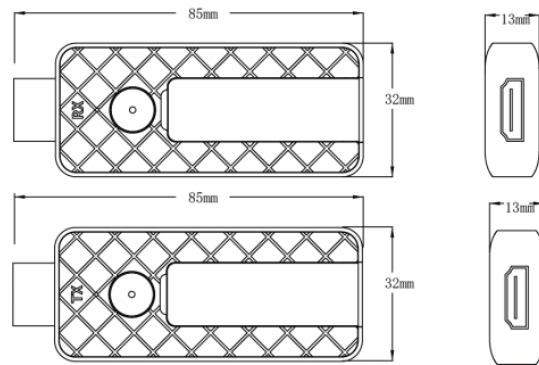
Key Features

- Up to 40m between laptop and connected display
- Transmitter automatically pairs with and connects Receiver
- Compact and discrete
- Plug-and-Play – no drivers required
- Support for Windows, macOS, iOS and Android
- Low latency
- Support HDMI output with embedded audio

Application Diagram



Dimensions



Specifications are correct at time of printing and subject to change or alteration without not



Specification

Receiver

Connectors	Output	HDMI	1×HDMI-A
	Power	USB	1×microUSB
Performance	Output Resolutions	HDMI	
		VESA	Up to 1920×1080@60
	Supported Standards	HDMI	1.3
Power	Input Voltage	DC 5V/500mA	
	Max Power	2.5W	
Environment	Temperature	-0°C~70°C	
	Humidity	10%~85%	
Physical	Weight	Net	0.026kg
		Packaged	0.24kg(TX*1+RX*1)
	Dimension	Net	85mm×32mm×13mm
		Packaged	120mm×120mm×50mm(TX*1+RX*1)

Transmitter

Connectors	Input	HDMI	1×HDMI-A
	Power	USB	1×microUSB
Performance	Input Resolutions	HDMI	
		VESA	720×480@60 720×576@50 1280×720@50/60 1920×1080@24/25/30/50/60
	Supported Standards	HDMI	1.3
Power	Input Voltage	DC 5V/500mA	
	Max Power	2.5W	
Environment	Temperature	-0°C~70°C	
	Humidity	10%~85%	
Physical	Weight	Net	0.027kg
		Packaged	0.24kg(TX*1+RX*1)
	Dimension	Net	85mm×32mm×13mm
		Packaged	120mm×120mm×50mm(TX*1+RX*1)

Specifications are correct at time of printing and subject to change or alteration without notice.

