



This unit is an HDMI over IP Receiver that allows you to receive extended HDMI signals using the TCP/IP protocol over regular Cat.5e network cable. This extender supports the reception of High-Definition signals (up to 1080p@60Hz) with audio up to 100m over a single cable. The distance can be further extended (up to 100m per segment) by using Gigabit Ethernet network switches, allowing the user to cascade the system without signal loss or introducing delay. This Receiver also features bi-directional IR and RS-232 pass-through.

It is also possible to for this Receiver to operate in multicast mode, allowing large groups of Receivers within the same local network to receive the same AV signal with no additional bandwidth cost. Additionally, that same multicast signal can be used to create large multi-display video walls with amazing simplicity.

This Video over IP system is perfect for both residential and commercial installation environments. Configuration information is provided via the On-Screen Display (OSD) when the unit is unlinked and control is via front panel buttons, WebGUI, Telnet, or the AV over IP Master Controller.

PANELS

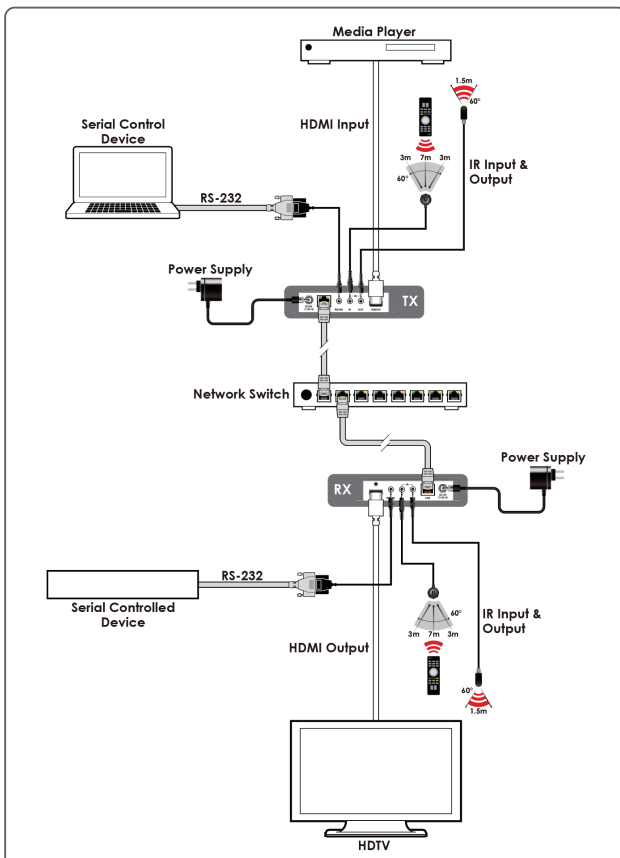


Front View



Rear View

DIAGRAM



FEATURES

- Video, audio and control reception over TCP/IP in Unicast (point-to-point) or Multicast (single-to-many, many-to-many) modes
- Multi-monitor video wall support with 180° and 270° rotation options
- Video output can be scaled to a selected resolution, or left unscalled
- HDMI output supports resolutions up to 1080p@60Hz/WUXGA
- Supports pass-through of audio formats including LPCM 2.0/5.1/7.1, Bitstream and HD Bitstream
- Supports IR and RS-232 bypass
- Unit has an info OSD (when unlinked) and can be controlled via front panel buttons, WebGUI, Telnet, and the AV over IP Master Controller

SPECIFICATIONS

Interfaces

Output Port	1 HDMI (Type-A)
Bi-directional Port	1 GbE LAN (RJ-45)
Control I/O	1 IR Extender (3.5mm) 1 IR Blaster (3.5mm) 1 RS-232 (3.5mm)

Video

HDMI Compliance	HDMI 1.4 (DVI 1.0)	
HDCP Compliance	1.4	
Output Signal Type	1920x1080p@60 12bit RGB	
		Resolutions
Maximum Input	LAN Streaming	1920x1080p@60 1920x1200p@60RB
Maximum Output	HDMI	1920x1080p@60 1920x1200p@60RB

Audio

Digital Formats	HDMI LPCM (8 Channels), Bitstream, HD Bitstream
------------------------	---

Power

Power Supply	5V/2.6A DC (Locking)
Power Consumption	4.2W

Enclosure

Chassis Material	Metal (Steel)
Chassis Color	Black
Dimensions (W×H×D)	128mm×25mm×108mm [Case Only] 128mm×25mm×116mm [All Inclusive]
Weight	364g

Field Firmware Update

WebGUI

ORDERING INFORMATION

Model No.	Product Description
CH-331H-RX	HDMI over IP Receiver
CH-331H-TX	HDMI over IP Transmitter
CDPS-CS7	AV over IP Master Controller